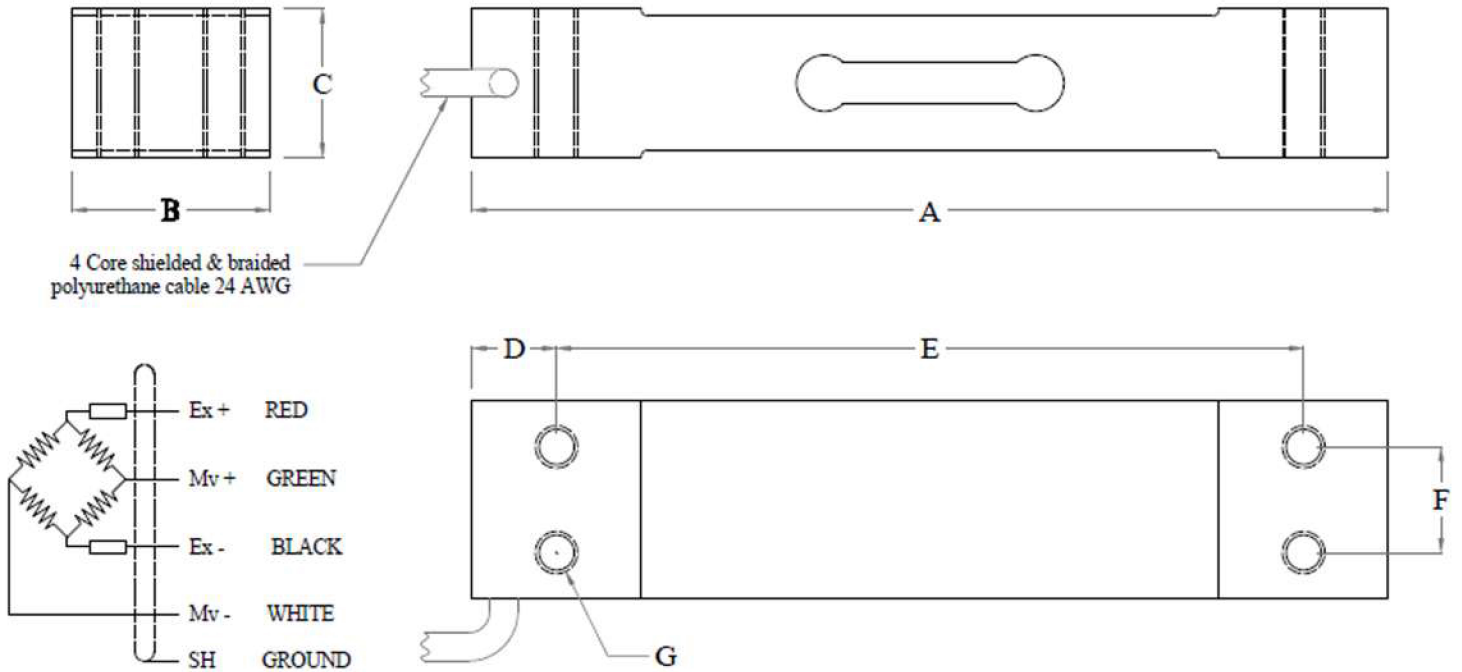


MODEL : ASP-TT



Dimension



Cap. kgf	A	B	C	D	E	F	G
3 - 80	130	30	21	12	106	15	M6x1.0

All Dimensions are in mm.

MODEL : ASP-TT

Performance Data

Capacity Range (in Kg)	3/5/6/10/20/30/40/80
Nominal Sensitivity (mv/V)	2±10%
Zero Signal Tolerance	0 ± 3%
Input Resistance	415±15 Ω
Output Resistance	350 ± 3 Ω
Recommended Excitation Voltage	10 VDC
Maximum Excitation Voltage	15 VDC
Linearity Deviation (as % of Full Scale)	< ± 0.017
Repeatability (as % of Full Scale)	< ± 0.017
Hysteresis (as % of Full Scale)	< ± 0.017
Creep (as % of Full Scale) in 30 min	< ± 0.020
Effect of Temperature on Zero (% / °C)	± 0.002
Effect of Temperature on Span (% / °C of Load)	± 0.001
Compensated Temperature Range	-10 to + 40°C
Operating Temperature Range	-20 to +70°C
Combined Error (as % Full Scale)	< ± 0.023 max
Isolation Resistance (@ 50 VDC)	> 1000 M Ω
Max. Limit Force (as % of Full Scale)	150
Breaking Force (as % of Full Scale)	300
Lateral Load Limit (as % of Full Scale)	
Protection Class	IP 65
Material of Construction	Aluminum Alloy

Features

- ★ Low Creep
- ★ Excellent Overload Capability

Application

- ★ Table Top Scale
- ★ Baby Weighing Scale
- ★ Bench Scale

Sensotech

2/675, " THE PALMS", 1st Cross Street, Ranga Reddy Garden, Neelankarai, Chennai-600115
(+91) - 9176070667 / 9790922667 / 9952020667 / 9566022667

Mail : sales@sensotechindia@gmail.com / sensotechindia@gmail.com

Website : <https://sensomatic.co> / <https://sensomaticloadcell.net>