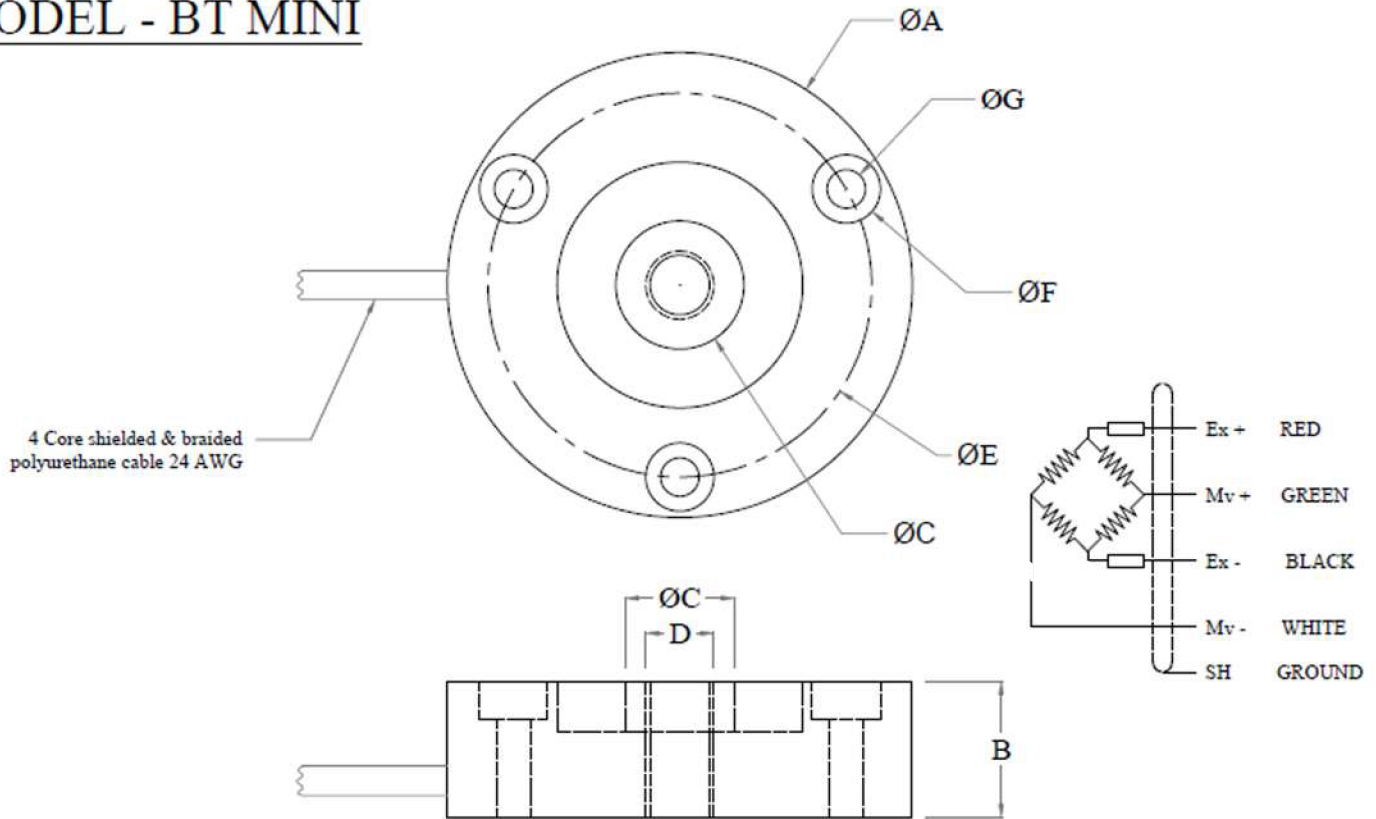


## MODEL : BT-Mini



## Dimension

### MODEL - BT MINI



Cap. Kg.	A	B	C	D	E	F	G
500 / 1000	54.5	16	15	M8x1.25	45	8	4.5

All Dimensions are in mm.

## MODEL : BT-Mini

### Performance Data

Capacity Range (in Kg)	500/1000
Capacity Range (in tf)	
Nominal Sensitivity (mv/V)	1.5±0.25%
Zero Signal Tolerance	0 ± 2%
Input Resistance	350±5 Ω
Output Resistance	350±3 Ω
Recommended Excitation Voltage	12 VDC
Maximum Excitation Voltage	18 VDC
Linearity Deviation (as % of Full Scale)	< ± 0.025
Repeatability (as % of Full Scale)	< ± 0.025
Hysteresis (as % of Full Scale)	< ± 0.025
Creep (as % of Full Scale) in 30 min	< ± 0.020
Effect of Temperature on Zero ( % / °C)	± 0.002
Effect of Temperature on Span ( % / °C of Load)	± 0.001
Compensated Temperature Range	-10 to + 40°C
Operating Temperature Range	-20 to +70°C
Combined Error (as % Full Scale)	< ± 0.04 %
Isolation Resistance (@ 50 VDC)	> 1000 M Ω
Max. Limit Force (as % of Full Scale)	150
Breaking Force (as % of Full Scale)	300
Lateral Load Limit (as % of Full Scale)	
Protection Class	IP 67
Material of Construction	Stainless Steel

### Features

- ★ Low Deflection & Creep
- ★ Allow High Permissible Dynamic Load
- ★ High Fatigue Rated & impact Resistant

### Application

- ★ SPM/Level Measurement/Testing Machine (for use in compression model only) Tank Weighing / Process Automation

### Sensotech

2/675, " THE PALMS", 1st Cross Street, Ranga Reddy Garden, Neelankarai, Chennai-600115

(+91) - 9176070667 / 9790922667 / 9952020667 / 9566022667

Mail : sales@sensotechindia@gmail.com / sensotechindia@gmail.com

Website : <https://sensomatic.co> / <https://sensomaticloadcell.net>