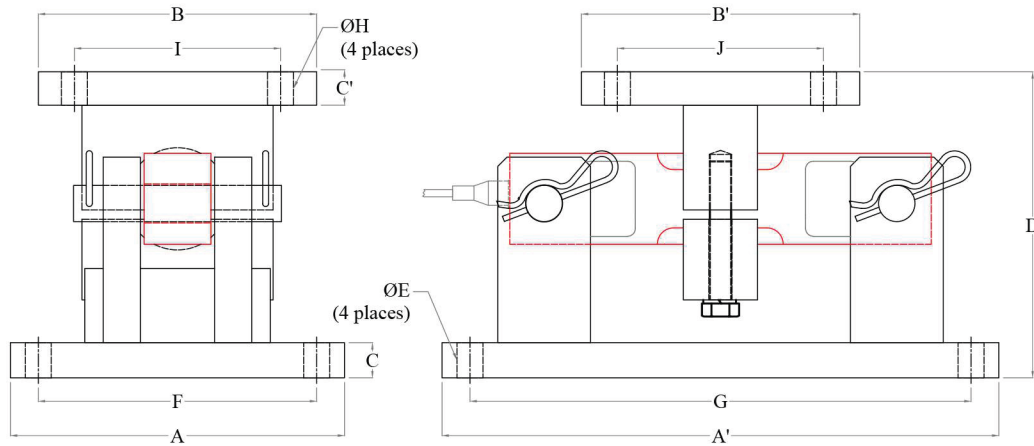


DESB-T (TANK MOUNT ASSEMBLY)



Dimension

DESB-T (TANK MOUNT ASSEMBLY)



Cap. tf	A	A'	B	B'	C	C'	D	E	F	G	H	I	J
5 - 15	180	300	150	150	19	18	165	14	150	270	14	120	120

All dimensions are in mm.

NOTE: For (20 - 27) tf capacities contact Sensotech.

Sensotech

2/675, " THE PALMS", 1st Cross Street, Ranga Reddy Garden, Neelankarai, Chennai-600115
(+91) - 9176070667 / 9790922667 / 9952020667 / 9566022667

Mail : sales@sensotechindia@gmail.com / sensotechindia@gmail.com

Website : <https://sensomatic.co> / <https://sensomaticloadcell.net>