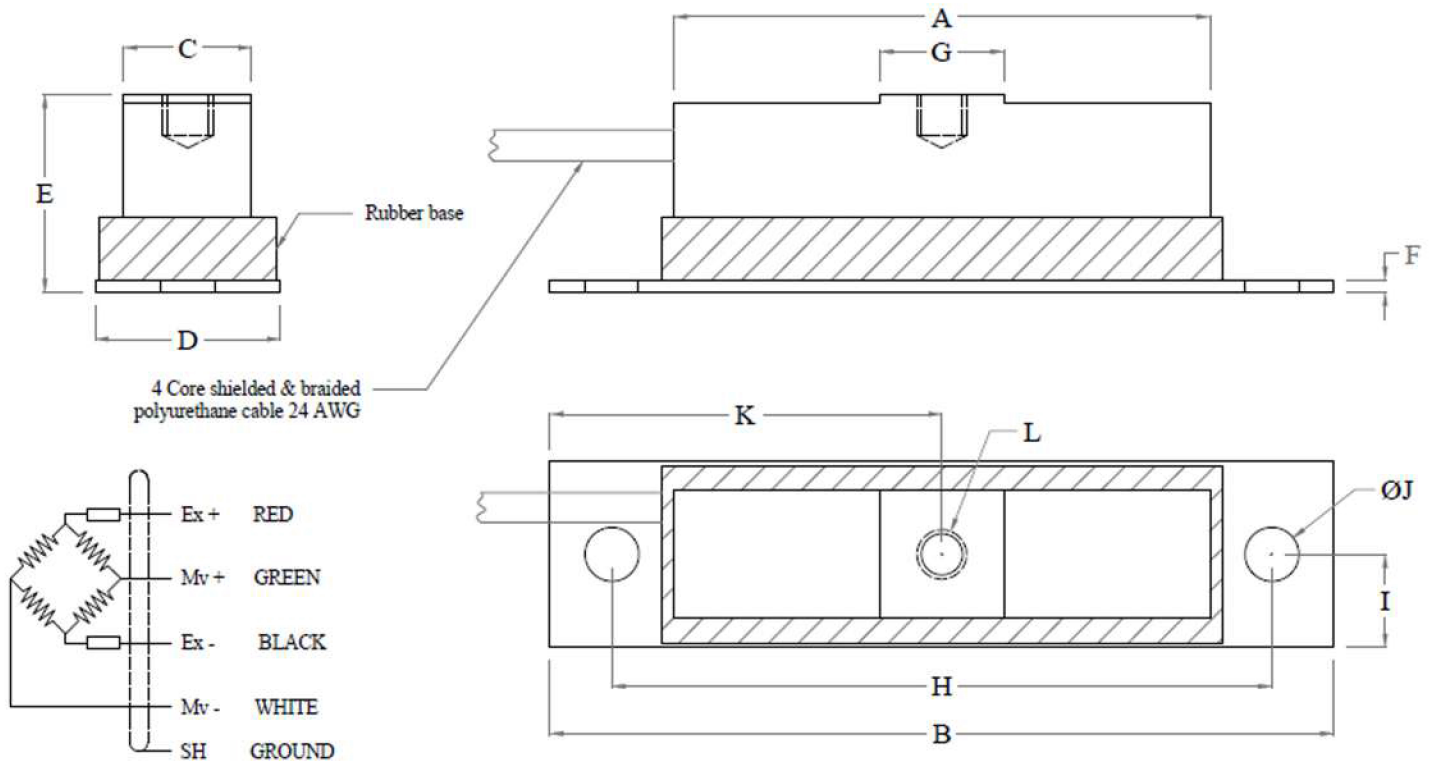


MODEL : ELC



Dimension



Cap. Kg.	A	B	C	D	E	F	G	H	I	J	K	L
800	130	190	31	45	48	3	30	160	22.5	13	95	M12x1.75, 10 Depth

All Dimensions are in mm.

MODEL : EL-C

Performance Data

Capacity Range (in Kg)	800
Capacity Range (in tf)	
Nominal Sensitivity (mv/V)	1±10%
Zero Signal Tolerance	0 ± 3%
Input Resistance	350±5Ω
Output Resistance	350±3Ω
Recommended Excitation Voltage	10 VDC
Maximum Excitation Voltage	15 VDC
Linearity Deviation (as % of Full Scale)	< ± 0.020
Repeatability (as % of Full Scale)	< ± 0.020
Hysteresis (as % of Full Scale)	< ± 0.020
Creep (as % of Full Scale) in 30 min	< ± 0.020
Effect of Temperature on Zero (% / °C)	± 0.020
Effect of Temperature on Span (% / °C of Load)	± 0.001
Compensated Temperature Range	-10 to + 40°C
Operating Temperature Range	-20 to +70°C
Combined Error (as % Full Scale)	< ± 0.023 max
Isolation Resistance (@ 50 VDC)	> 1000 M Ω
Max. Limit Force (as % of Full Scale)	150
Breaking Force (as % of Full Scale)	300
Lateral Load Limit (as % of Full Scale)	
Protection Class	IP 67
Material of Construction	High Nickel Alloy Steel

Features

- ★ Excellent Overload Capability
- ★ Low profile Design
- ★ Low Deflection & Creep

Application

- ★ For Passenger / Goods Elevator.
- ★ Low Capacity On-board Weighing

Sensotech

2/675, " THE PALMS", 1st Cross Street, Ranga Reddy Garden, Neelankarai, Chennai-600115

(+91) - 9176070667 / 9790922667 / 9952020667 / 9566022667

Mail : sales@sensotechindia@gmail.com / sensotechindia@gmail.com

Website : <https://sensomatic.co> / <https://sensomaticloadcell.net>