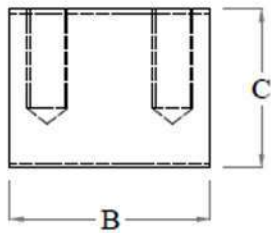


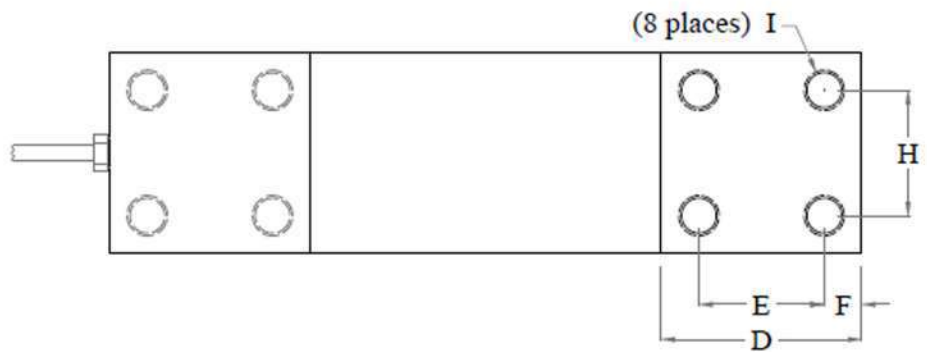
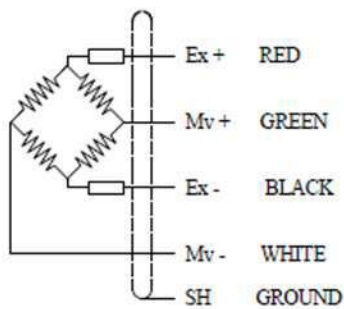
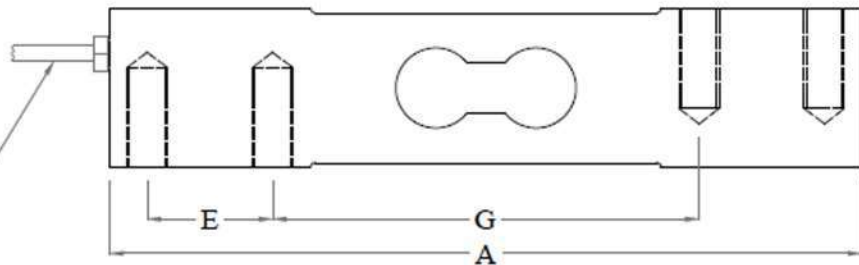
MODEL : SSP-PF-L



Dimension



4 Core shielded & braided polyurethane cable 24 AWG



Cap. Kg.	A	B	C	D	E	F	G	H	I
100 - 1000	200	50	40	45	25	10	130	35	M8x1.25, 25 Depth

All Dimensions are in mm.



MODEL : SSP-PF-L

Performance Data

Capacity Range (in Kg)	100/200/300/500/750
Capacity Range (in tf)	1
Nominal Sensitivity (mv/V)	2±10%
Zero Signal Tolerance	0 ± 3%
Input Resistance	415±15 Ω
Output Resistance	350 ± 3 Ω
Recommended Excitation Voltage	10 VDC
Maximum Excitation Voltage	15 VDC
Linearity Deviation (as % of Full Scale)	< ± 0.020
Repeatability (as % of Full Scale)	< ± 0.020
Hysteresis (as % of Full Scale)	< ± 0.020
Creep (as % of Full Scale) in 30 min	< ± 0.020
Effect of Temperature on Zero (% / °C)	± 0.002
Effect of Temperature on Span (% / °C of Load)	± 0.001
Compensated Temperature Range	-10 to + 40°C
Operating Temperature Range	-20 to +70°C
Combined Error (as % Full Scale)	< ± 0.023 max
Isolation Resistance (@ 50 VDC)	> 1000 M Ω
Max. Limit Force (as % of Full Scale)	150
Breaking Force (as % of Full Scale)	300
Lateral Load Limit (as % of Full Scale)	
Protection Class	IP 67
Material of Construction	High Nickel Alloy Steel

Features

- ★ Low Creep
- ★ Excellent Overload Capability
- ★ Low Profile Design
- ★ Rust Proof plating

Optional

- ★ Explosion Proof Version suitable for Group I, IIA, IIB, IIC & meets Temperature Class T4

Application

- ★ Low profile Bench scale Floor Scale Platform scale, Concrete